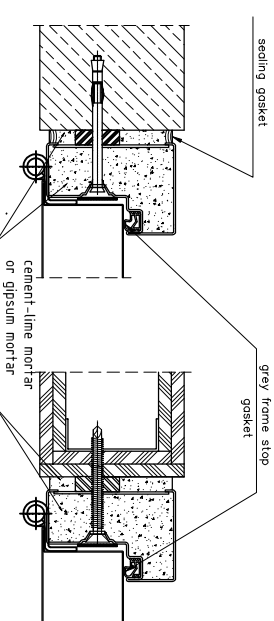


The spring hinge is adjusted in the following manner:

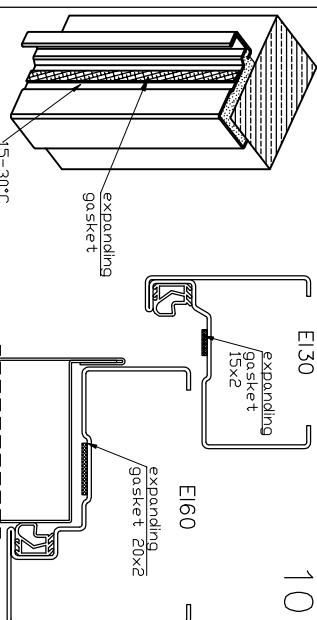
- put the rod into the hinge flange seal,
- Tension the spring by rotating it in the direction in which the door opens,
- block the spring with a locking pin by putting it into the hinge hole. When these activities have been performed check if the door leaf closes automatically starting from 45°.

8



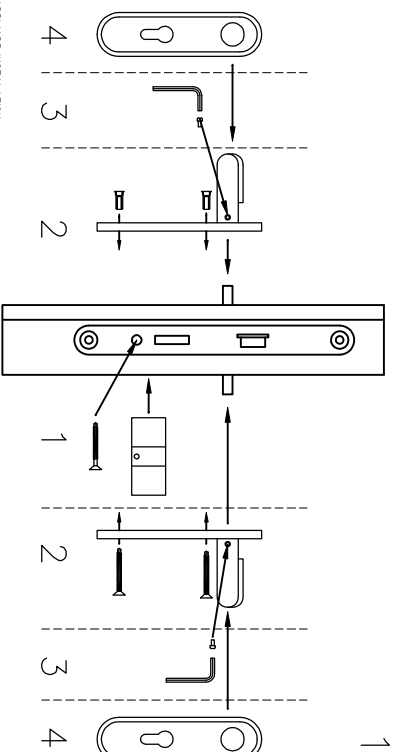
The space between the wall and the frame should be tightly filled with fire resistant cement-lime mortar or gypsum mortar in the case of drywall. THIS ARE NOT CONTAINED IN THE DOOR SET DELIVERED BY AA MERCOR DOORS.

9



The self-adhesive expanding seal should be mounted around the entire frame. The expanding seal should be stuck to the clean and depressed surface. There is a special groove in the corner frame where the expanding seal should be put. For EI60 door expanding gasket should be put also on the top of doorleaf. IT IS RECOMMENDED TO HEAT THE SURFACE TO AMBIENT TEMPERATURE (max. 30°C).

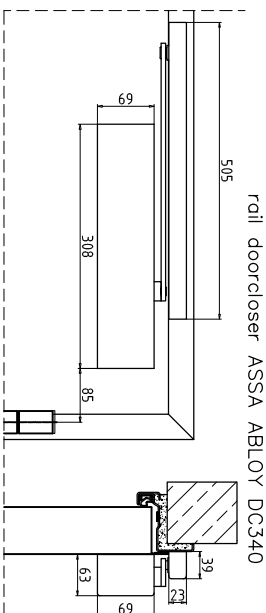
10



HARDWARE INSTALLATION:

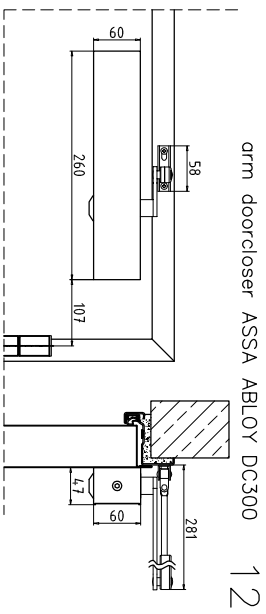
- 1) Put the cylinder into the lock hole and fasten it with a screw.
- 2) Put the handle pin into the lock hole (if necessary, it should be shortened to achieve the required length. Mount the steel handle plate. Tighten them firmly with connectors.
- 3) Lock the pin in the handle holder by tightening the hexagonal socket head screw.
- 4) Mount the spands on the steel plate. The handles should be fastened strictly, the plates should not depart from the door plane.

11



rail doorcloser ASSA ABLÖY DC340

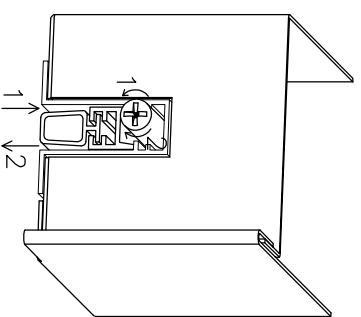
If the door is equipped with door closers (OPTION), it is recommended to refer to the corresponding installation instructions to the door closer.



arm doorcloser ASSA ABLÖY DC300

12

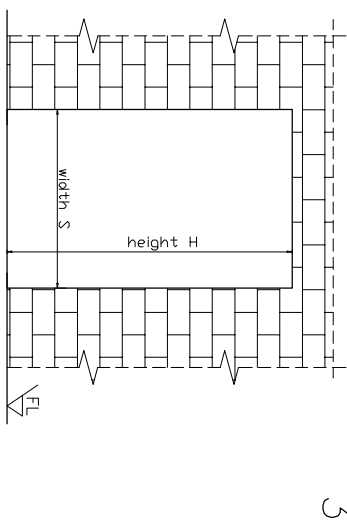
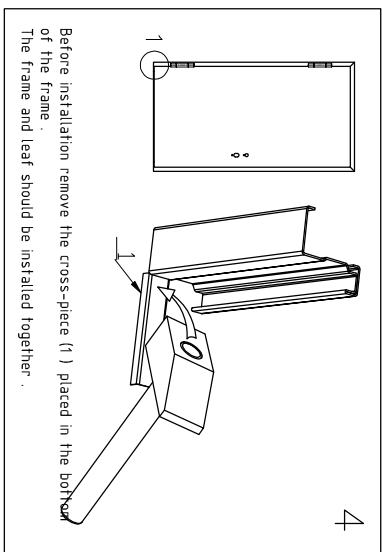
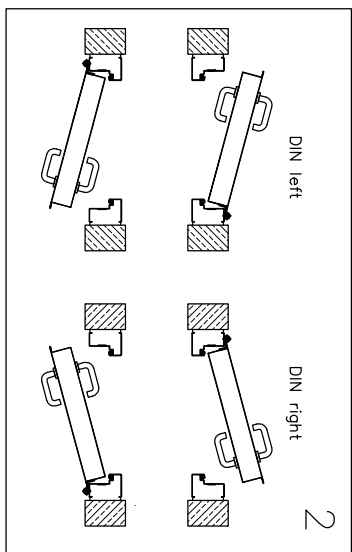
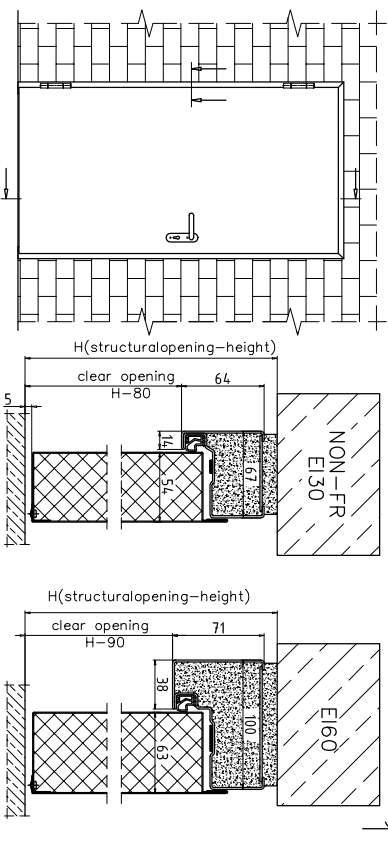
13



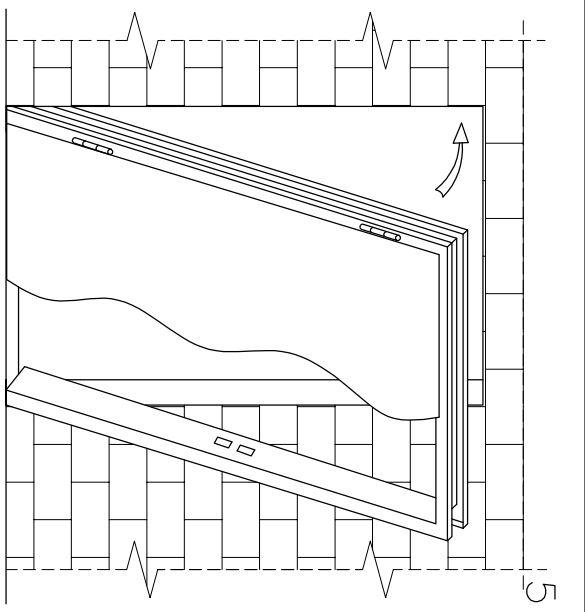
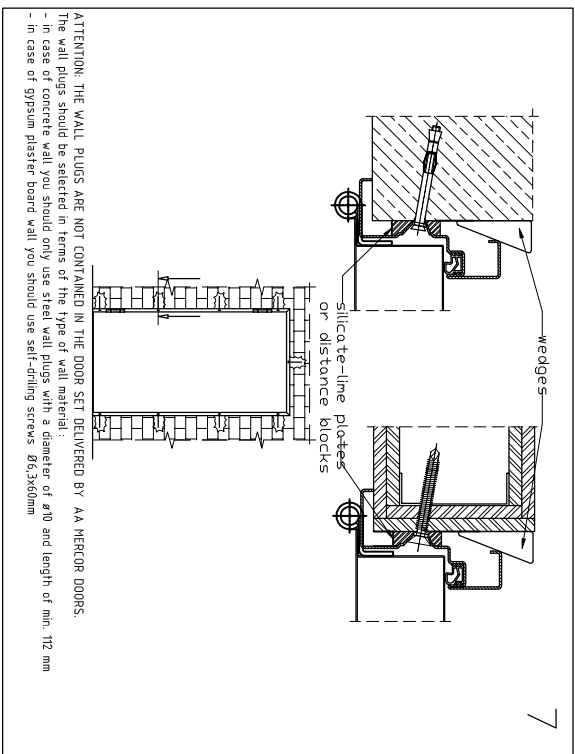
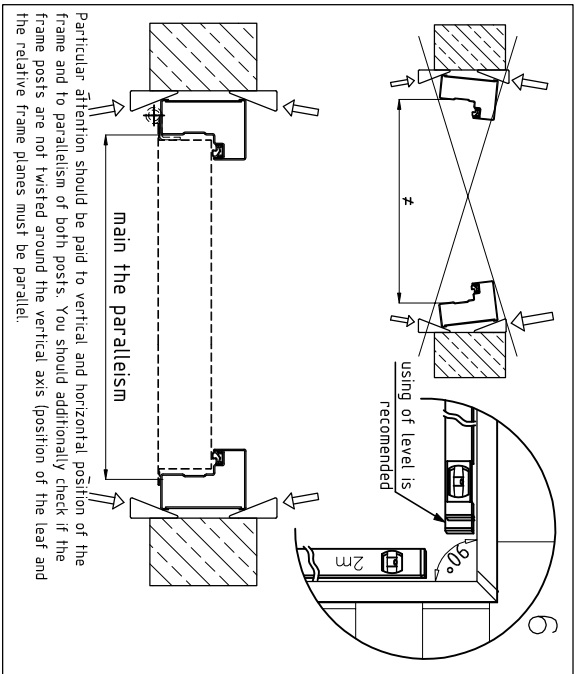
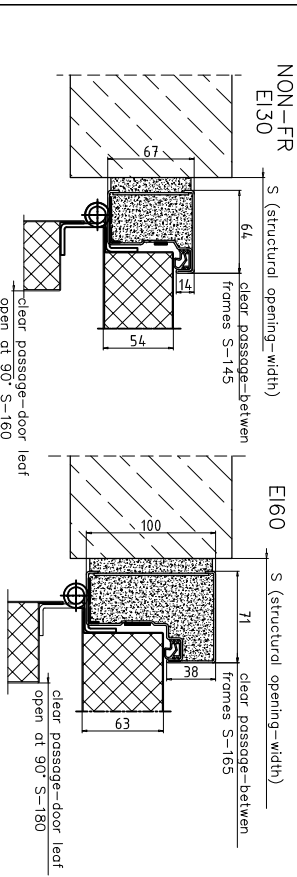
Adjustment of the automatic self-dropping seal (OPTION). The adjustment is made by simply screwing the push wheel located on the hinge side (3) which sets the level of the seal drops. The adjustment is made with an open gate at 90°. In some cases to prevent the door leaf against damage installation of the door stoppers is recommended.

GUARANTEE TERMS AND CONDITIONS:

1. AA MERCOR DOORS provides the guarantee for the products delivered for the 12-month period unless the guarantee period is specified in a separate agreement.
2. Any defects disclosed within this time period which will make the proper product operation impossible will be eliminated within 21 days from the date of notification.
3. The guarantee will be automatically prolonged with a time period which will elapse from the moment the complaint is lodged until the guarantee repair has been completed.
4. The products under guarantee with faults which will make further operation impossible will be replaced with the products of the same value.
5. The guarantee does not cover the activities to be performed by the user, specified in this Operation and Maintenance Manual.
6. To ensure proper doors operation and to retain the right which results from the guarantee, periodic technical doors inspections should be carried out and the maintenance activities should be performed at least once every 6 months during the entire operation period. Periodic technical inspections and maintenance activities must be carried out by a company duly authorised by AA MERCOR DOORS.
7. The manufacturer is released from the guarantee and other responsibilities if:
 - period technical inspections and maintenance activities were not carried out on time as specified in item 6 or were carried out by unauthorised persons or a service company not authorised by AA MERCOR DOORS
 - mechanical damage of products occurs due to improper products operation by the user,
 - the user has modified the product structure on his/her own,
 - the faults of the product occur due to maintaining the product in a manner incompatible with the maintenance manual,
 - the user installs the product in a manner incompatible with the manufacturer's instructions.
8. While performing the guarantee repairs the manufacturer deducts the value of the items missing or damaged due to the user's fault as well as the cost connected with the replacement of such items.
9. AA MERCOR DOORS provides the guarantee for the manufactured partitions in terms of the paint coat durability providing that the coat has been completely applied by the production plant of AA MERCOR DOORS. If only zinc-coated partitions are purchased without any paint coat AA MERCOR DOORS does not provide any guarantee for a paint coat. However, AA MERCOR DOORS warns that the zinc-coated coat may be damaged while e.g. loading, transporting, unloading and installing the partitions. It is recommended to paint the partition.
10. For the guarantee to be provided for more than 3 years it is necessary to conclude the service agreement with AA MERCOR DOORS.
11. EXPOSITION OF A PAINT COAT COVERED WITH A PROTECTIVE FILM TO SUN AND MOISTURE MAY DAMAGE THE COAT PERMANENTLY. THEREFORE, THE PROTECTIVE FILM SHOULD BE REMOVED AS SOON AS THE DOOR HAS BEEN INSTALLED.



Check compatibility of dimensions SxH with dimensions put on door and check the level of the floor. Check perpendicularity of walls. If floor level is not prepared (FL) there should be appropriate mounting gap under doorleaf having regard to the clearance between the leaf and the finished floor amounting to 5mm.



Put frame inside wall opening, check properly and mounting gaps. In case of irregularities of the wall, remove them. Match on the wall position of the cut-outs for latch bolt (2), 3D hinges (3), security bolt (1) and cut holes in the wall of the door opening. * Cut-outs may be necessary for application other equipment, such as e.g. electric strike.