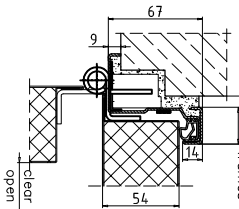
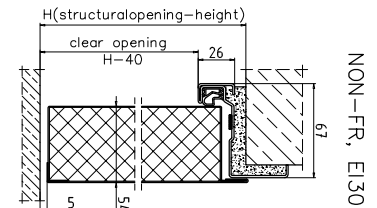


NON-FR, EI30

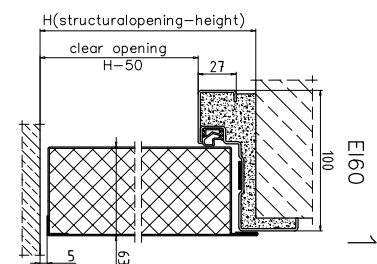
S (structural opening-width)
clear passage-between frames S-140



clear passage-door leaf open at 90° S-90



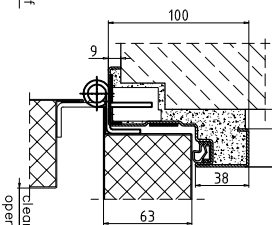
NON-FR, EI30



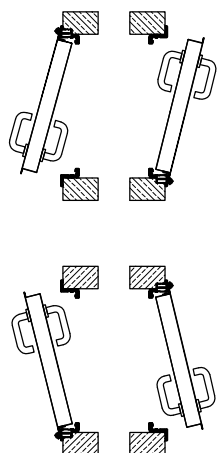
EI60 1

EI60

S (structural opening-width)
clear passage-between frames S-140



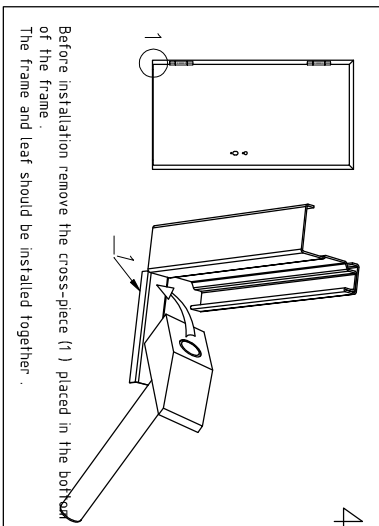
clear passage-door leaf open at 90° S-100



DIN left

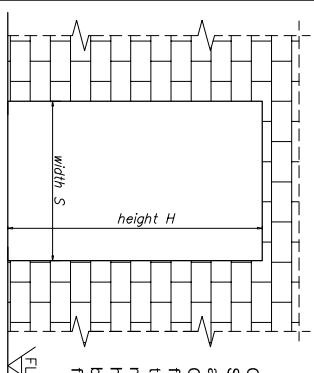
DIN right

2



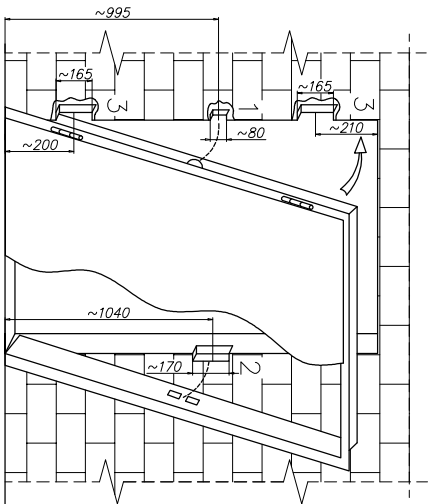
Before installation remove the cross-piece (1) placed in the bottom of the frame.
The frame and leaf should be installed together.

4

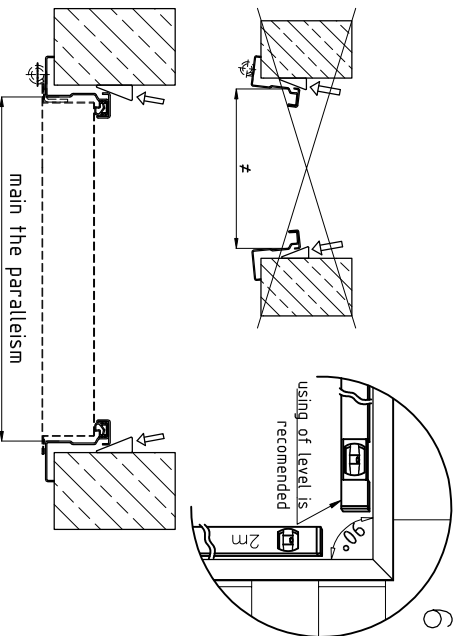


Check compatibility of dimensions SxH with dimensions put on door and check the level of the floor. Check perpendicularity of walls. If floor level is not prepared (FL) there should be appropriate mounting gap under doorleaf having regard to the clearance between the leaf and the finished floor amounting to 5mm.

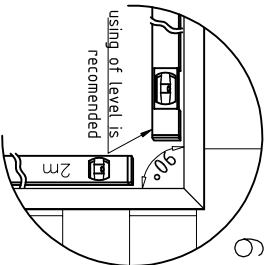
3



5

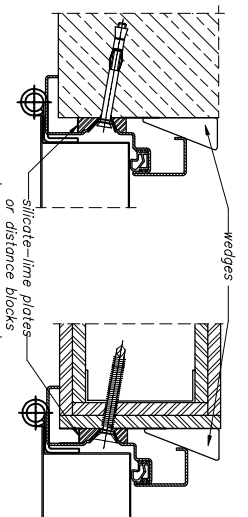


main the parallelism



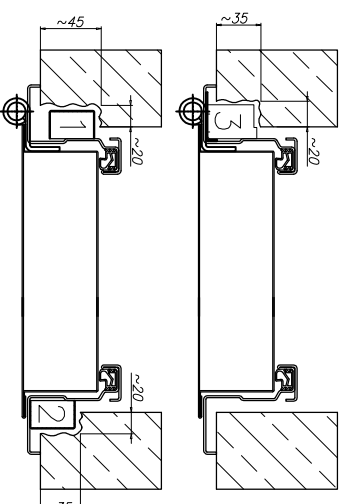
using of level is recommended

6



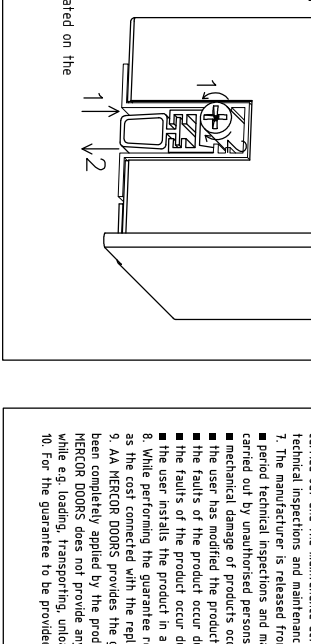
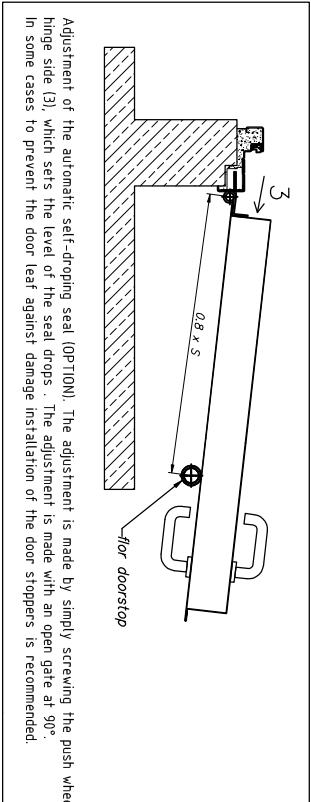
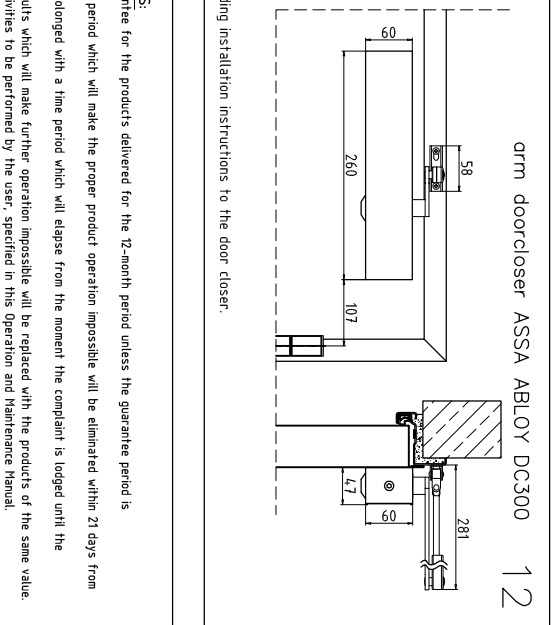
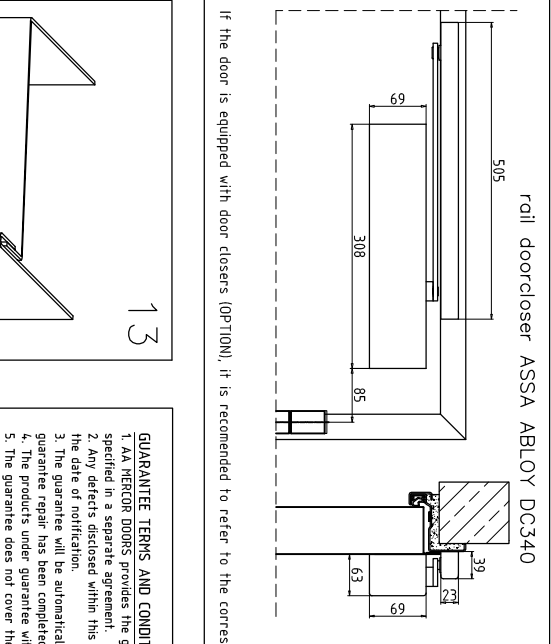
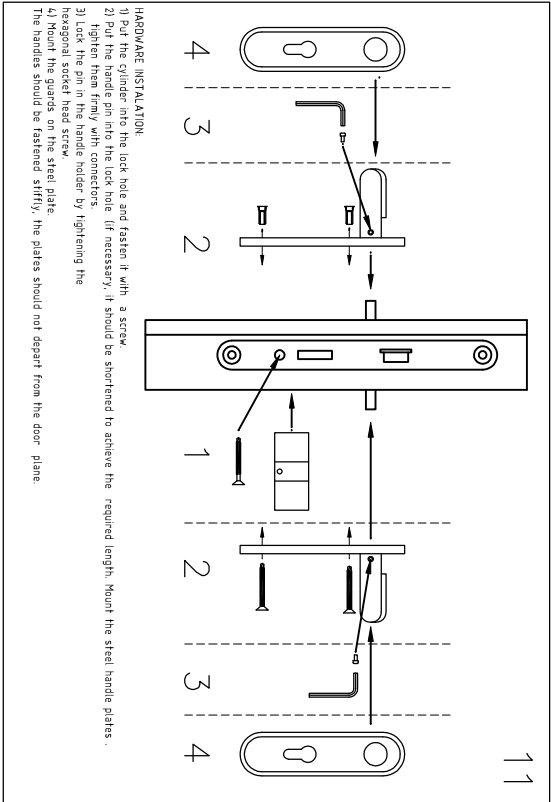
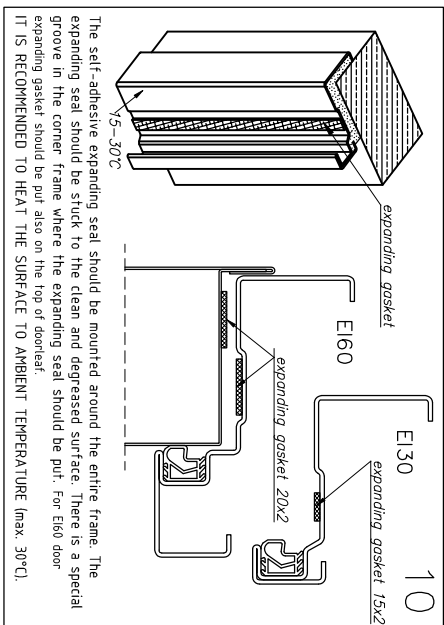
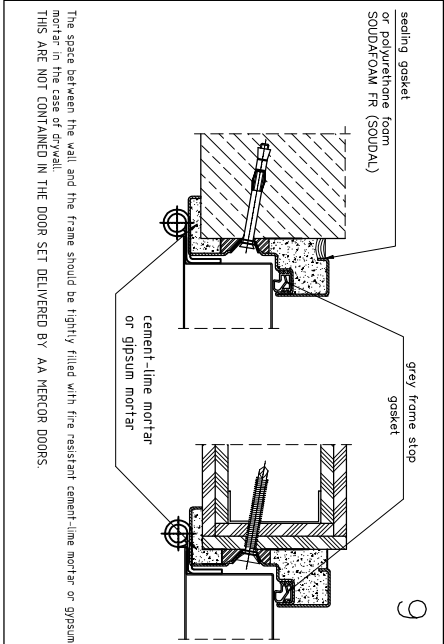
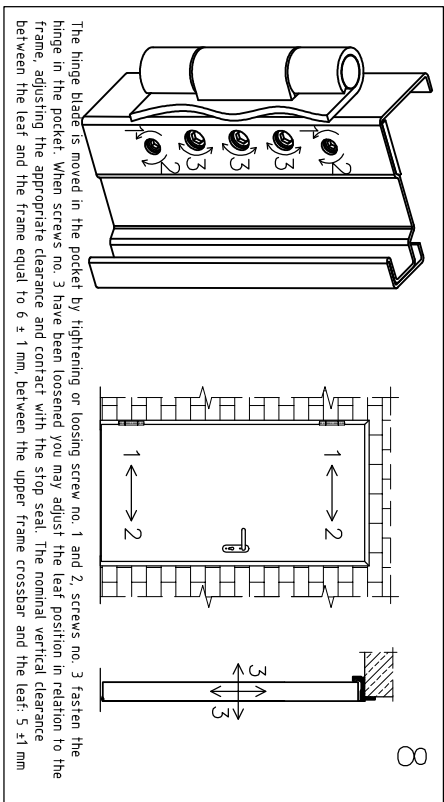
7

ATTENTION: THE WALL PLUGS ARE NOT CONTAINED IN THE DOOR SET DELIVERED BY AA MERCOR DOORS.
The wall plugs should be selected in terms of the type of wall material:
- in case of concrete wall you should only use steel wall plugs with a diameter of $\varnothing 10$ and length of min. 112 mm
- in case of gypsum plaster board wall you should use self-drilling screws $\varnothing 5,3 \times 60$ mm



Put frame inside wall opening, check properly and mounting gaps. In case of irregularities of the wall, remove them.
Match on the wall position of the cut-outs for latch bolt (2), 3D hinges (3), security bolt (1) and cut holes in the wall of the door opening.
*Cut-outs may be necessary for application other equipment, such as e.g. electric strike.

Particular attention should be paid to vertical and horizontal position of the frame and to parallelism of both posts. You should additionally check if the frame posts are not twisted around the vertical axis (position of the leaf and the relative frame planes must be parallel).



GUARANTEE TERMS AND CONDITIONS:

- AA HERCOR DOORS provides the guarantee for the products delivered for the 12-month period unless the guarantee period is specified in a separate agreement.
- Any defects disclosed within this time period which will make the proper product operation impossible will be eliminated within 21 days from the date of notification.
- The guarantee will be automatically prolonged with a time period which will elapse from the moment the complaint is lodged until the guarantee repair has been completed.
- The products under guarantee with faults which will make further operation impossible will be replaced with the products of the same value.
- The guarantee does not cover the activities to be performed by the user, specified in this Operation and Maintenance Manual.
- To ensure proper doors operation and to retain the right which results from the guarantee periodic technical doors inspections should be carried out and the maintenance activities should be performed at least once every 6 months during the entire operation period. Periodic technical inspections and maintenance activities must be carried out by a company duly authorised by AA HERCOR DOORS.
- The manufacturer is released from the guarantee and other responsibilities if:
 - period technical inspections and maintenance activities were not carried out on time as specified in item 6 or were carried out by unauthorised persons or a service company not authorised by AA HERCOR DOORS
 - mechanical damage of products occurs due to improper products operation by the user,
 - the user has modified the product structure on his/her own,
 - the faults of the product occur due to maintaining the product in a manner incompatible with the maintenance manual,
 - the user installs the product in a manner
- While performing the guarantee repairs the manufacturer deducts the value of the items missing or damaged due to the user's fault as well as the cost connected with the replacement of such items.
- AA HERCOR DOORS provides the guarantee for the manufactured partitions in terms of the paint coat durability providing that the coat has been completely applied by the production plant of AA HERCOR DOORS. If only zinc-coated partitions are purchased (without any paint coat) AA HERCOR DOORS does not provide any guarantee for a paint coat. Moreover, AA HERCOR DOORS warns that the zinc-coated coat may be damaged while e.g. loading, transporting, unloading and installing the partitions. It is recommended to paint the partition
- For the guarantee to be provided for more than 3 years it is necessary to conclude the service agreement with AA HERCOR DOORS.